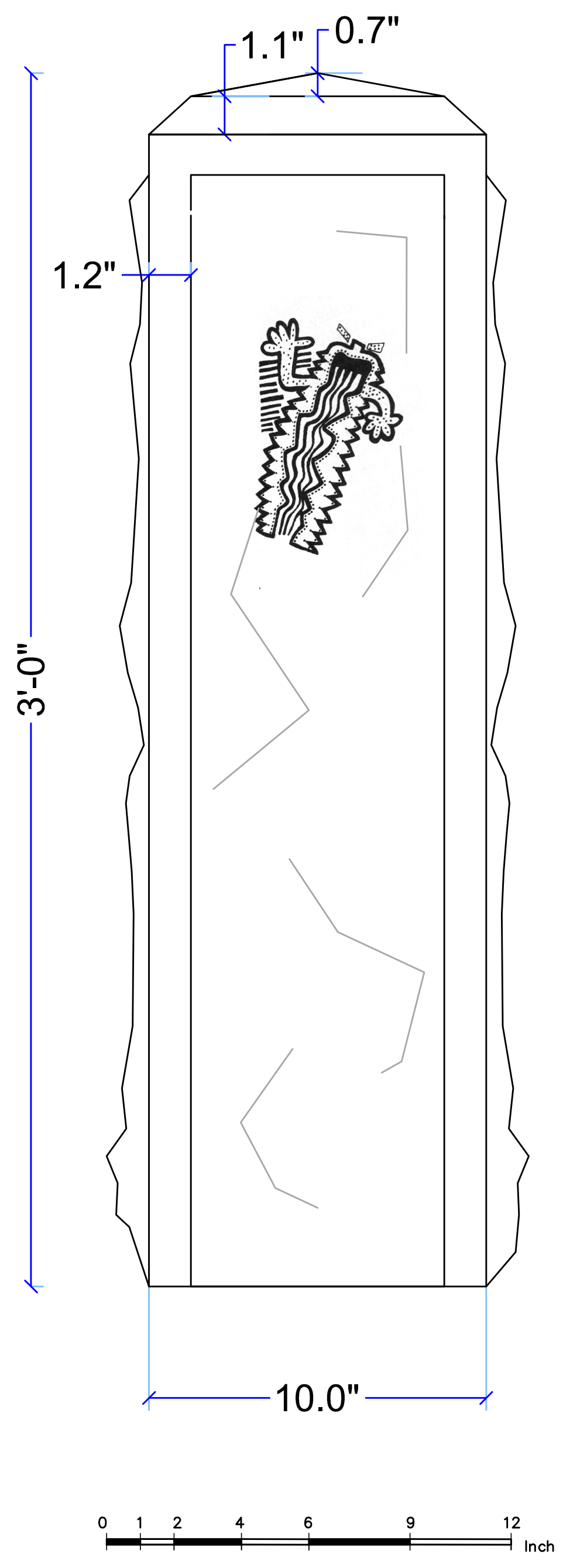
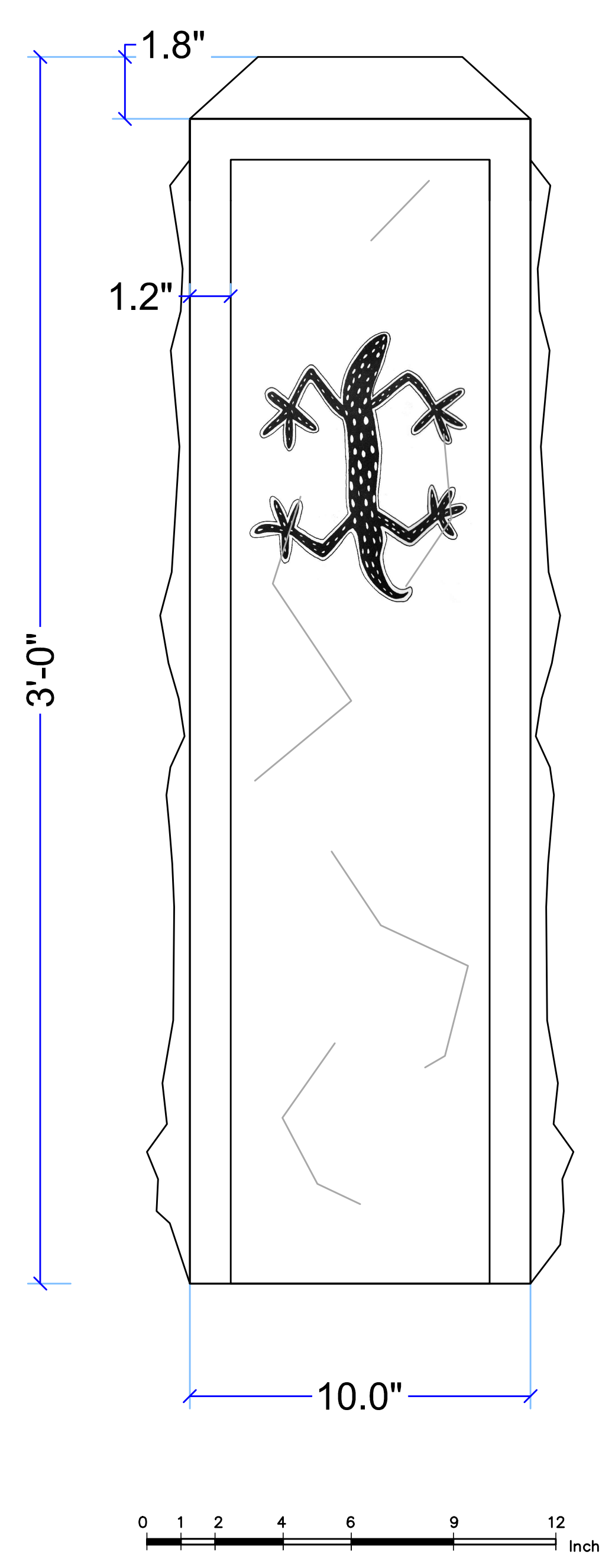


front view option 1



front view option 2



3d illustrations

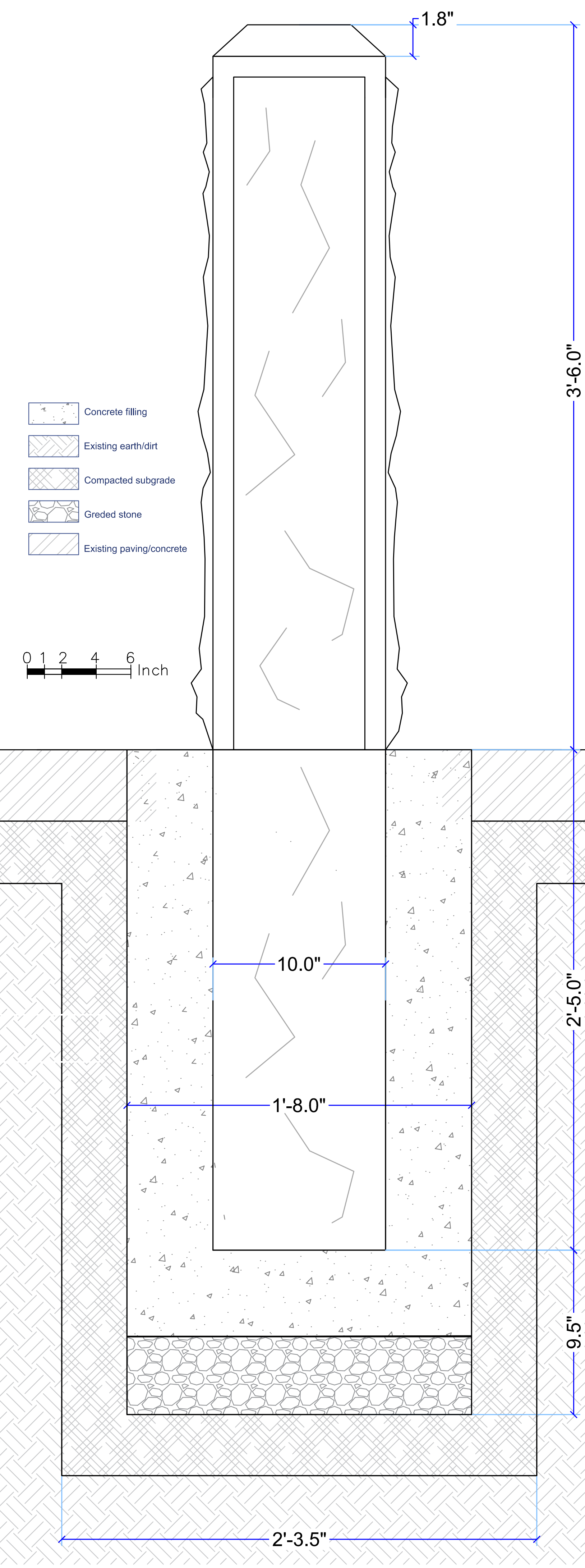
option 1



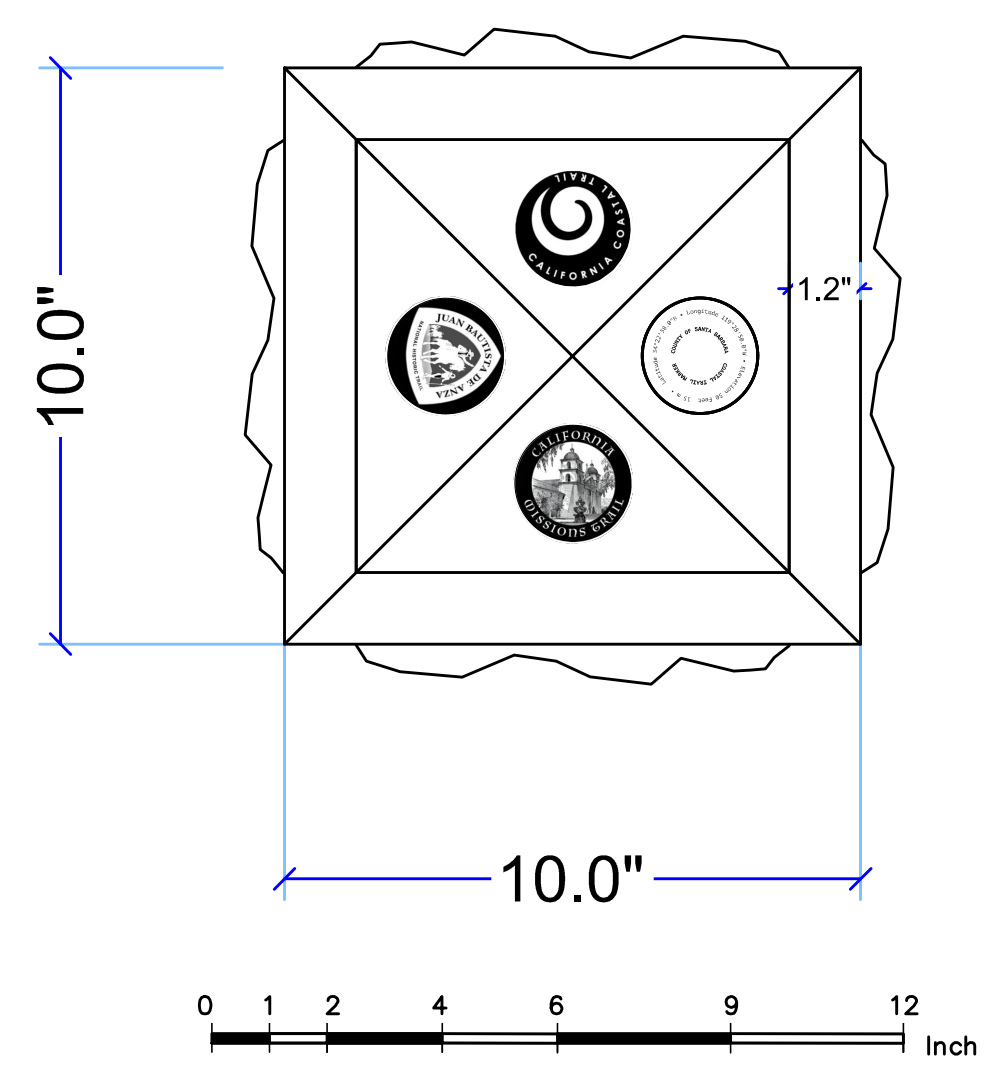
option 2



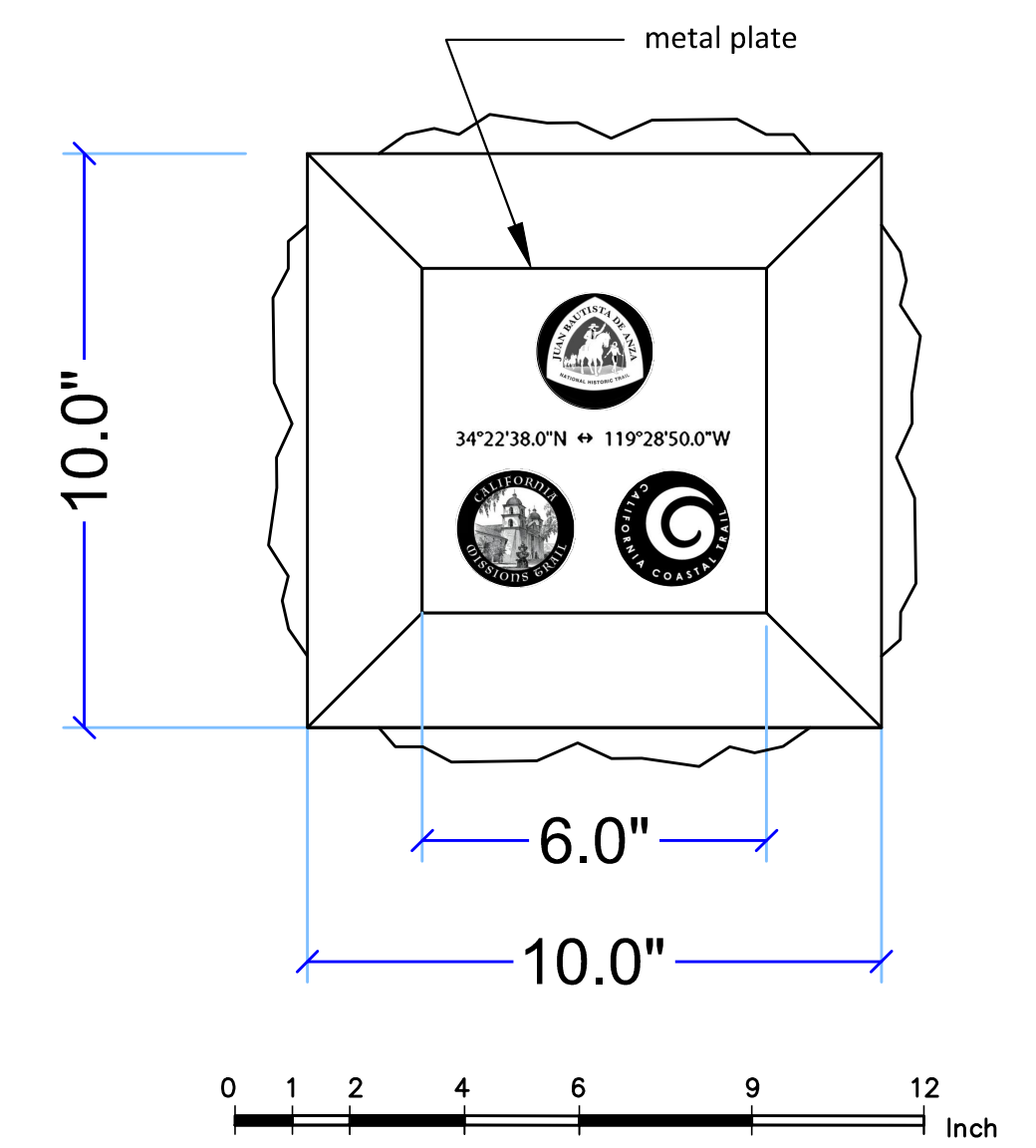
section/anchored detail



top view option 1



top view option 2



Organization

A & M Design

Date

October 18, 2019

Title

Trail Marker Design for Multiple Trails with a Shared Footprint

Description

Sandstone monoliths similar to historic hitching posts often seen in Santa Barbara with design elements reminiscent of Chumash Indian rock art.

Sponsors

Santa Barbara County Trails Council  
National Park Service  
Funding by Santa Barbara County Arts Commission

Page

1 of 1