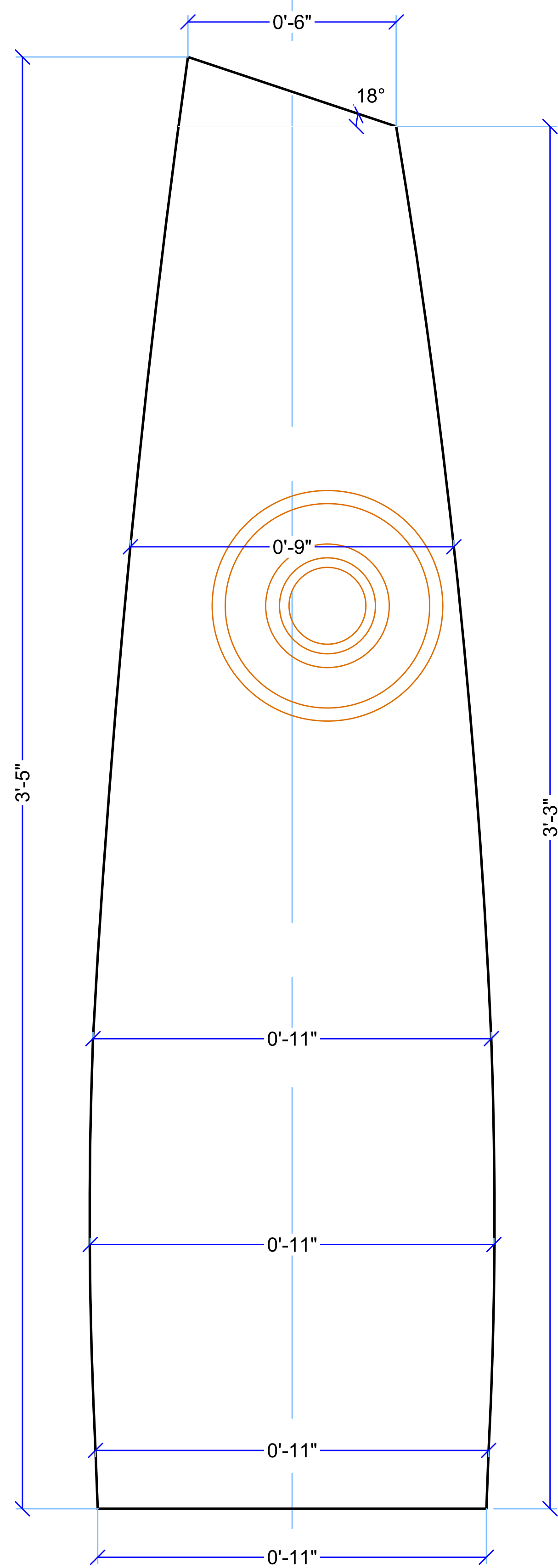


front view



3d illustrations

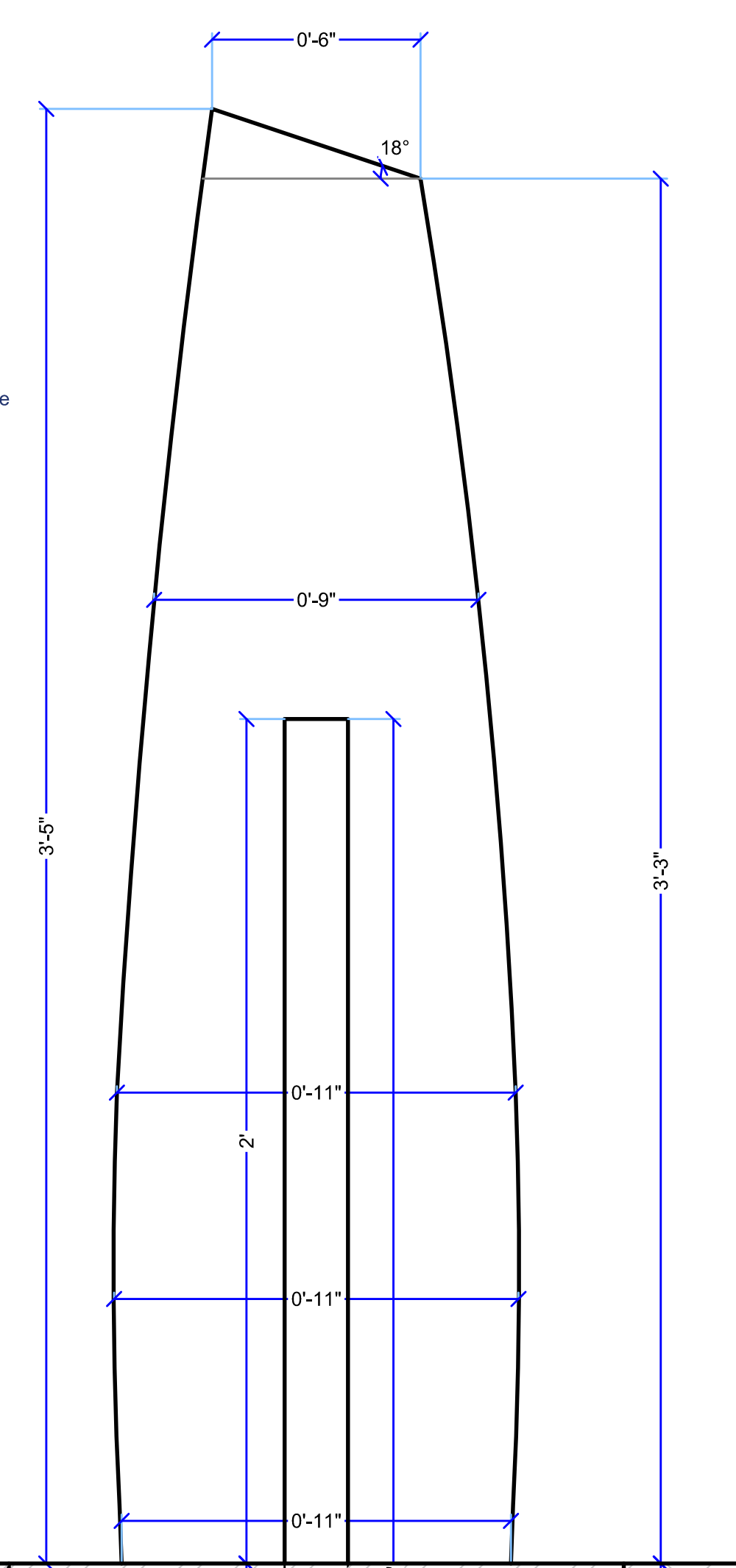
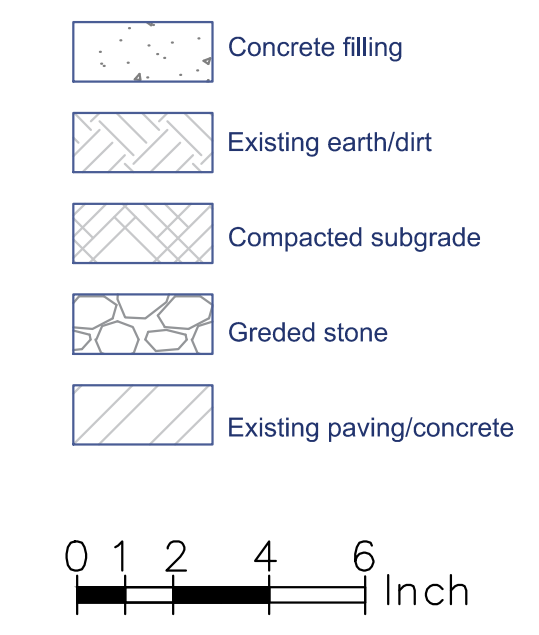


Near field communication (NFC) technology can be used to unveil useful and entertaining information relating the three trails that weave together along the original trade routes that connected oceanside settlements of the Chumash people: the Juan Bautista de Anza National Historic Trail, the California Coastal Trail, and the route used by people walking the California Missions Trail.

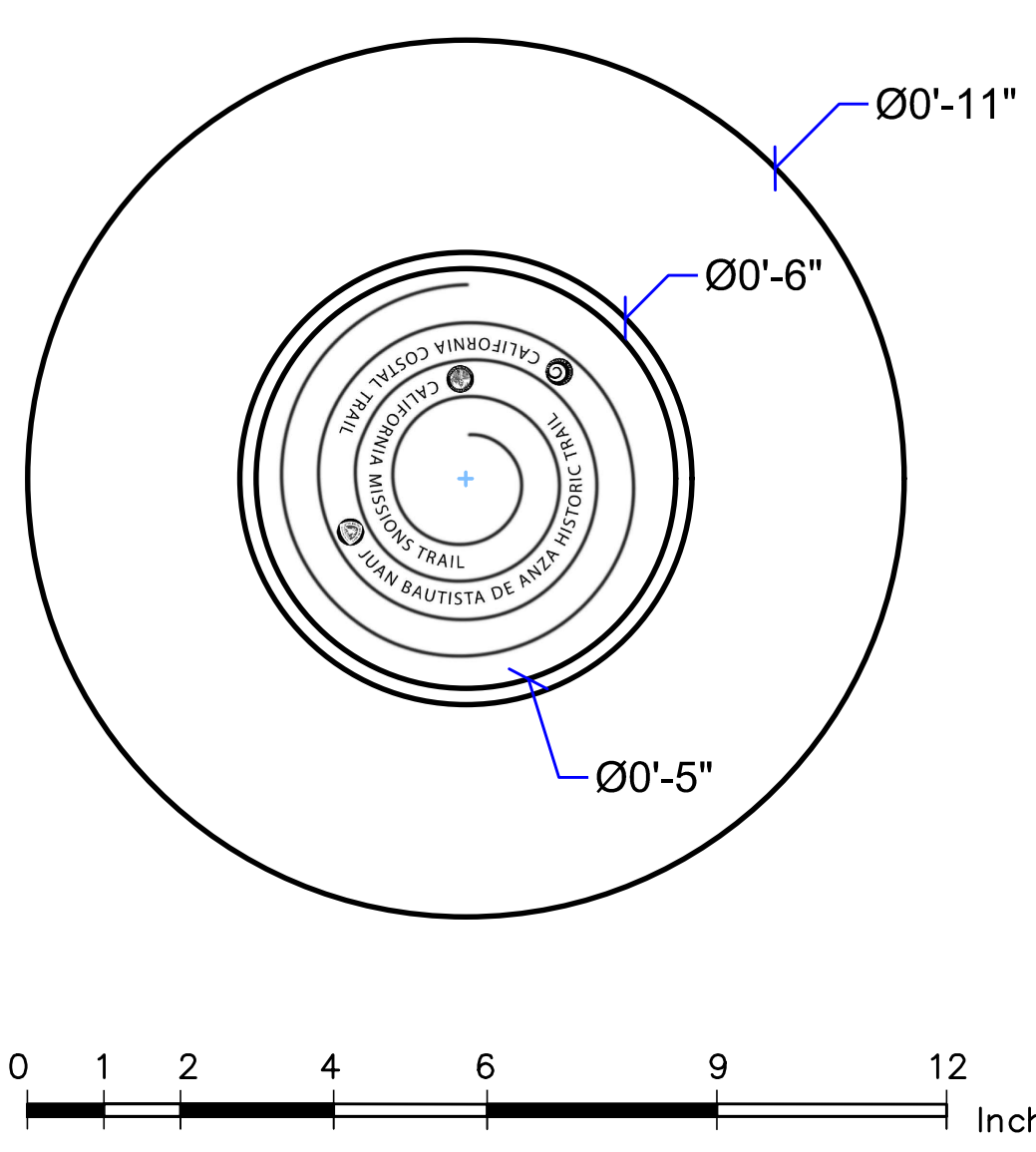
NFC technology brings actionable localized information to people passing a trail marker. County residents and tourists who tap the disk with their cell phone can learn more about the location of the marker, local history, see an area map, or be given an opportunity to support the trail maintenance. Links can be provided that launch videos, enter contests, report trail conditions, identify places of interest, and much more.



section/anchored detail



top view



bronze marker



Organization	Date	Title	Description	Sponsors	Page
A & M Design	October 18, 2019	Trail Marker Design for Multiple Trails with a Shared Footprint	Three trail names spiraling together atop a terracotta-colored cast concrete bollard with design elements reminiscent of Chumash Indian rock art.	Santa Barbara County Trails Council National Park Service Funding by Santa Barbara County Arts Commission	1 of 1